

SPECIFICATION

Customer : _____

Customer's Model No. : _____

Model No. : VEGA V-1010 Linear Barcode Scanner

Date : _____

Sample Serial No. : _____

Spec. Version & Revision Date: V01 2009.06.04

Received/Approved by



ChampTek Incorporated
5/F, No. 2, Alley 2, Shih-Wei Lane, Chung Cheng Rd.,
Hsin Tien City, Taipei, Taiwan, R.O.C.

Web : <http://www.champtek.com>

Tel : 886-2-22192385

E-mail : sales@champtek.com

Fax : 886-2-22192387

Revision History

Version	Date	Context
V00	2008.11.27	Golden release
V01	2009.06.04	Change Model Name V-1010 from SV-700

TABLE OF CONTENTS

A. General Description	1
B. Physical Characteristics	2
C. Performance	5
D. Electrical Characteristics	6
E. Environmental.....	6
F. Scan Map	7
G. Readable Symbologies	7
H. Reliability	8

A. General Description

VEGA is an award-winner gun type barcode scanner which is design specifically for retail market. Introducing new series of VEGA, we include friendly functions with the replaceable cable that makes it more easily to be operated by the customers.

Speaking of the performance, this scanner supports long range mode. For specification of VEGA which supports the reading depth up to 110 inches, scan rate is up to 700 scans / per second in linear emulation technology is also available.

The new VEGA scanner has most modern design with the decorative cover display on the top of the scanner that will enhance the looks of the checkout counter in the non-food retail market. This magnificent design allowed end-users to display their product information or any relevant commercial message in the cover display. This advanced mechanical design truly creates a win-win solution for both POS retail systems and consumers.

In short, VEGA is a high performance gun-type scanner, which provides the customer with the most cost-effective solution in the market. It is perfectly suitable and definitely the best choice for any retailers using POS environment.

B. Physical Characteristics

Weight

Body weight	Approx.	140g
RS232 Cable weight	Approx.	100g
USB Cable weight	Approx.	70g
PS/2 Cable weight	Approx.	77 g
AC adaptor weight	Approx	109g

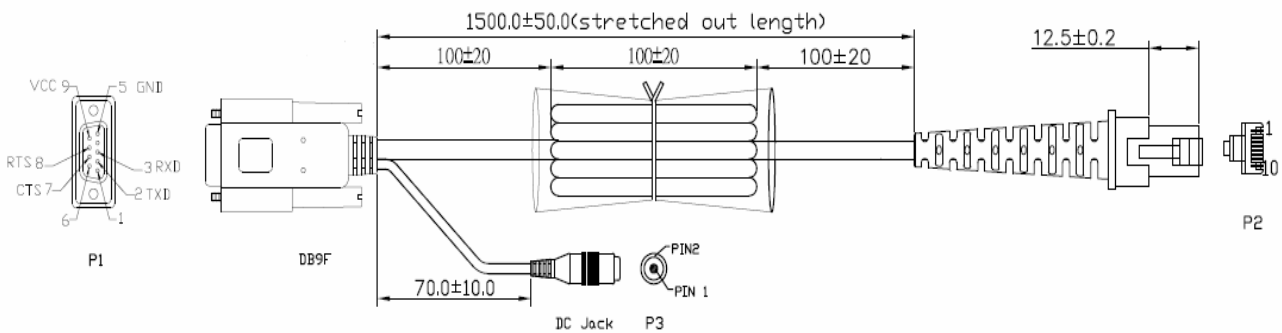
Material ABS Plastic

Connector RJ 45C 10Pins

Cradle interface cable drawing

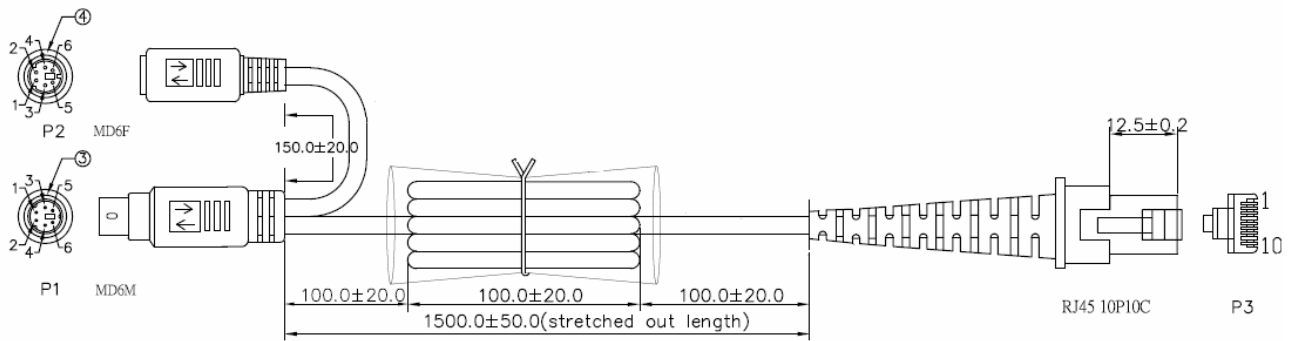
Unit : mm

(a) RS232 Interface :



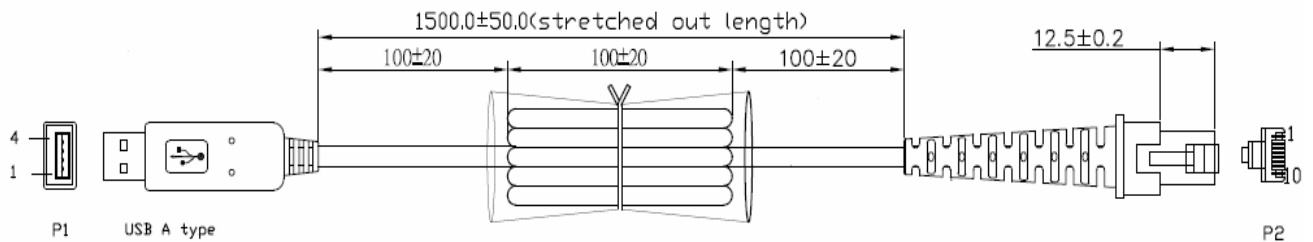
Wire Define					Function
P3	Color	P1	Color	P2	
Iron case	Brown	5	Brown	3	GND
CORE	Red	9	Red	5	POWER
	Orange	2	Orange	7	TXD
	Yellow	3	Yellow	9	RXD
	Green	8	Green	1	RTS
	Blue	7	Blue	10	CTS
		Iron case			SHIELDING

(b) PS/2 Keyboard interface



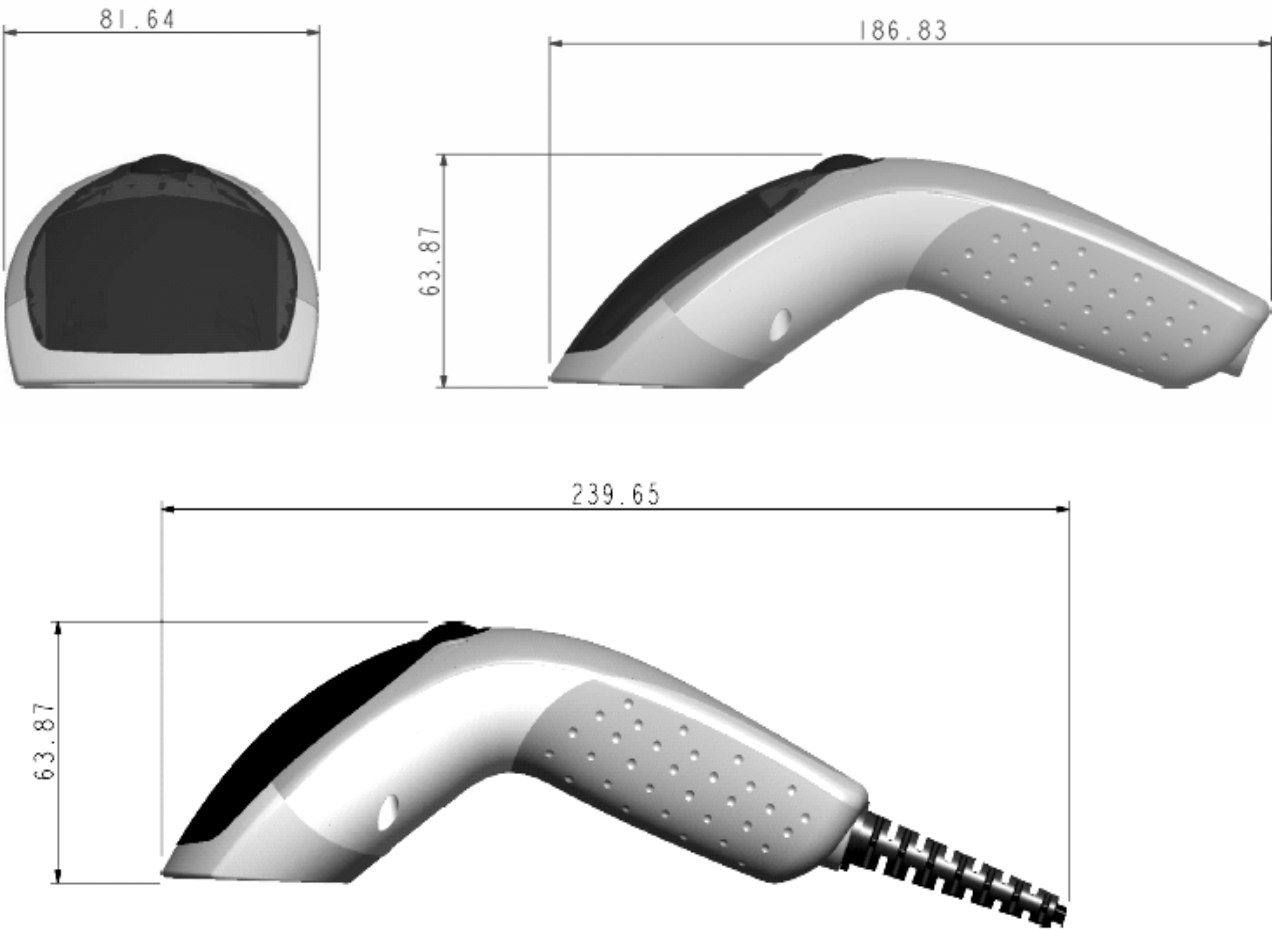
Wire Define					Function
P3	Color	P1	Color	P2	
5	Red	4	Red	4	Vcc
6	Orange		Orange	5	KB_CLK
4	Blue	5			HOST CLK
8	Yellow		Yellow	1	KB_DATA
2	Green	1			HOST DATA
3	Brown	3	Blue	3	GND
		Iron case		Iron case	SHIELDING

(c) USB interface



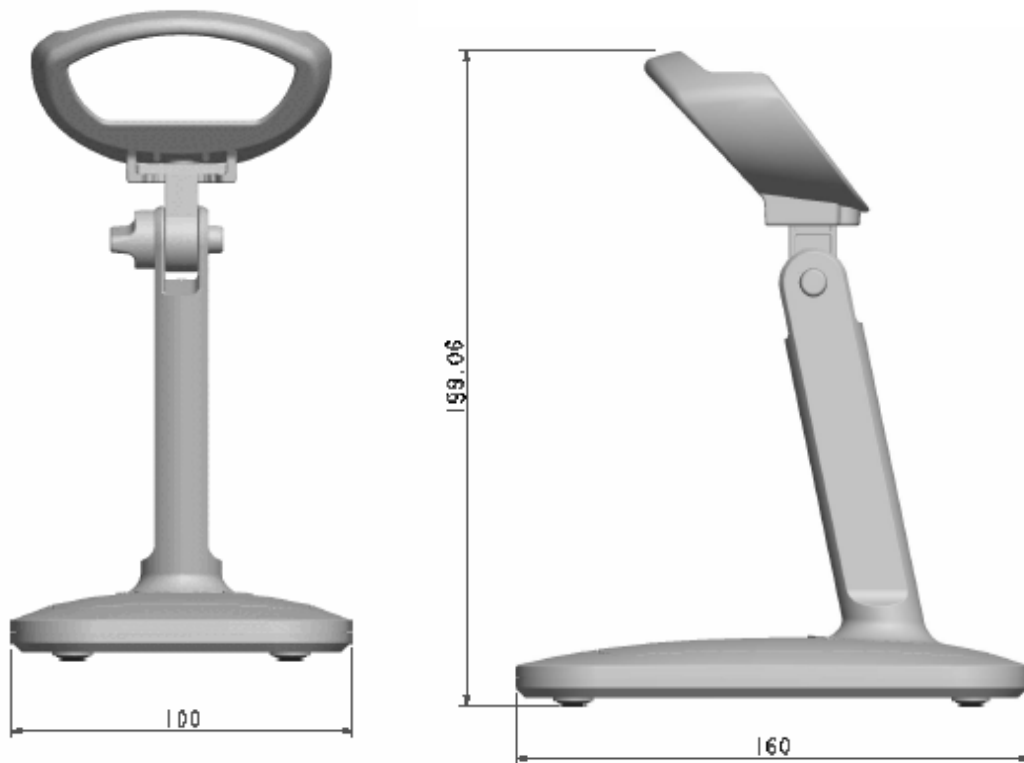
Function	Wire Define			Function
	P1	Color	P2	
D-	2	Green	2	HOST DATA
GND	4	Brown	3	GND
D+	3	Blue	4	HOST CLK
VCC	1	Red	5	VCC
SHIELDING	Iron case	SHIELDING		SHIELDING

(d) Mechanical drawing

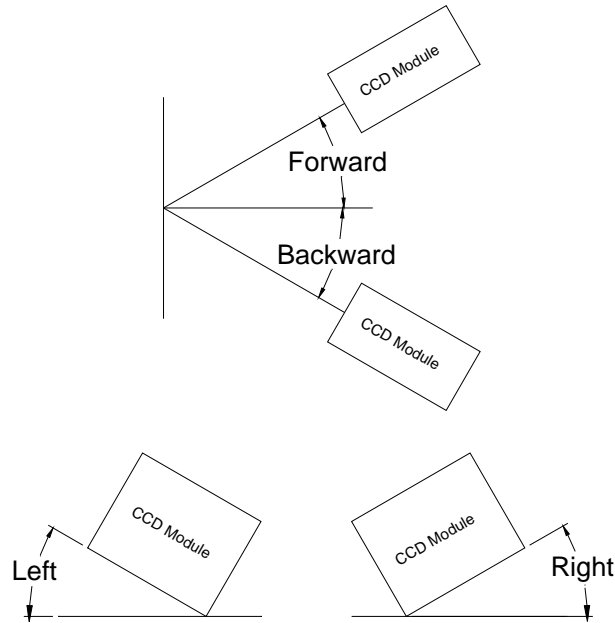


(e) Stand Dimension

Unit: mm

**C. Performance**

Light Source	Visible Red light 632nm LED
Processor Type	Single chip 16-bit CMOS Microcomputer
Scan Rate	700 Scans/sec $\pm 10\%$
Depth Of Field	270 mm @ 20mil/0.5mm, PCS90%
Resolution	4mil/0.1mm @ PCS90%
Reading Angle	<i>Test Conditions : Code 39, 10mil/0.25mm, PCS 90%</i>
Forward & Backward	$\pm 70^\circ (\pm 5^\circ)$
Left & Right	$\pm 60^\circ (\pm 5^\circ)$
Ambient Light	100,000 LUX Max.



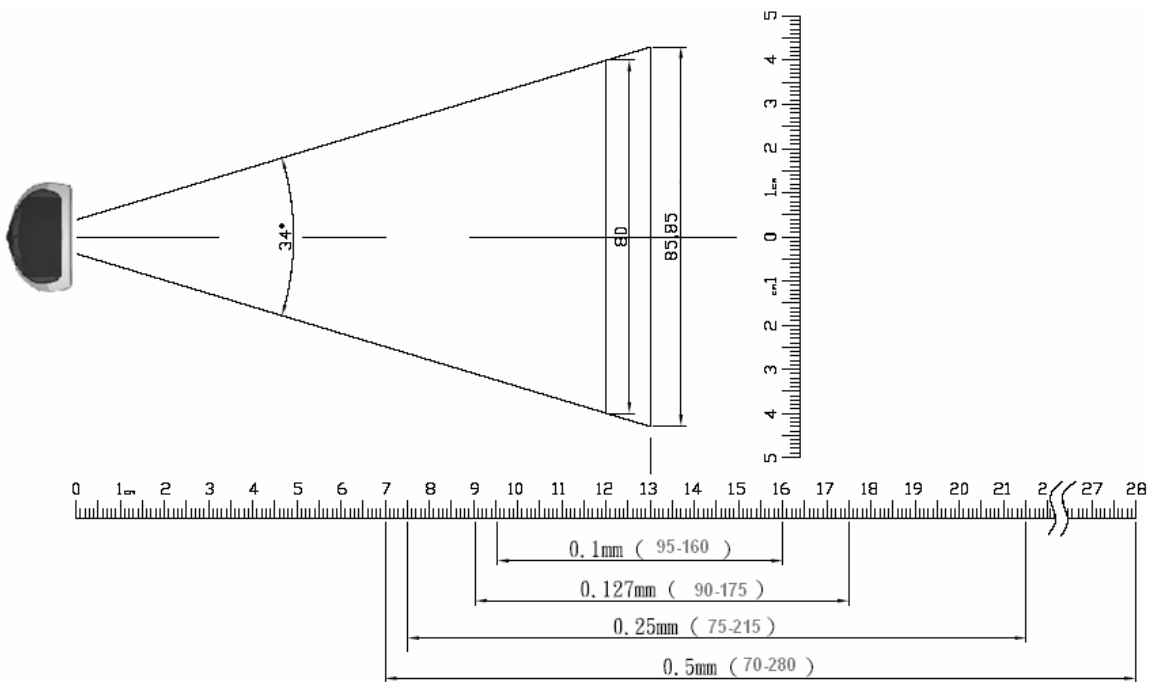
D. Electrical Characteristics

Interface	RS232	KBW	USB(HID KBW)	USB(Virtual Comport)
Supply Voltage	DC +5V ±5% (AC adaptor)	DC +5V ±5% (AC adaptor)	DC +5V ±5% (USB power)	DC +5V ±5% (USB power)
Power On (Typ.)	110mA	110mA	120mA	
Stand by (Typ.)	53mA	38mA	48mA	
Operation (Typ.)	150mA	110mA	140mA	

E. Environmental

Operating Temperature	0 °C to 50 °C (32 °F to 122 °F)
Storage Temperature	-20 °C to 70 °C (-4 °F to 158 °F)
Relative Humidity	20% to 95% (Non-condensing)

F. Scan Map



G. Readable Symbolologies

	Readable	Default Enable
All UPC/EAN/JAN	V	V
EAN128 Code	V	V
Code 39	V	V
Code 39 Full ASCII	V	
Code32 / Italian Pharmacy	V	
Code 128	V	V
CODABAR/NW7	V	V
Interleave 25	V	V
Industrial 25	V	
Matrix 25	V	
MSI/PLESSEY	V	
Telepen	V	
Code 93	V	
Code 11	V	
China Postage	V	
GS1 Databar	V	

H. Reliability

Life Time	
Light Source	40,000 hours
MTBF(Calculated)	22,000 hours
Thermal Shock	
High Temp.	50 °C (140 °F)
Low Temp.	-10 °C (-4 °F)
Cycle time	30 minutes for high temp. , 30 minutes for low temp.
Cycles	24 cycles
Drop	40 inches (100 cm) Drop on Concrete Surface