

SPECIFICATION

Customer : _____

Customer's Model No. : _____

Model No. : LG163 Series _____

Date : _____

Sample Serial No. : _____

Spec. Version & Revision Date: V03 2009.11.04 _____

Received/Approved by



Web : <http://www.champtek.com>

E-mail : sales@champtek.com

ChampTek Incorporated

5/F, No. 2, Alley 2, Shih-Wei Lane, Chung Cheng Rd., Hsin Tien City, Taipei, Taiwan, R.O.C.

Tel : 886-2-22192385

Fax : 886-2-22192387

Revision History

Version	Date	Context
V01	2006.07.18	Golden release
V02	2009.06.18	Add GS1 DataBar
V03	2009 11.04	Modify PCS description

TABLE OF CONTENTS

A. General Description..... 1

B. Physical Characteristics..... 2

C. Electrical Characteristics 3

D. Performance..... 4

E. Environmental 5

F. Readable Symbologies..... 5

G. Pin Assignment..... 6

H. Scan Map 8

I. Reliability..... 9

A. General Description

LG163 is a well-designed economic handheld laser scanner which preserved the characteristics of previous product line with " high performance and most cost effective solution" in the market.

Aside from the primary of excellence mechanical designed which implement with ergonomic concept with extra -trigger allowed end-user to operate it efficiently and this is specifically designed for industry usage. Speaking of performance, this scanner is capable of recognizing variety of barcode quality, integrated with unique software program, ISP function, equipped with detachable capable and also 4-in-1 interface.

Performance: this scanner supports reading depth up to 25 inches, best choice for retailers using POS or regular cash register system. User can program this scanner to " continuous mode" and pair up with matching hand-free stand. Scanning can be an easiest task and be completed with hand-free.

Aid in various major barcodes, hand-on software-programming function, this economical-type barcode scanner is the best choice ever.



B. Physical Characteristics

Weight

Body weight Approx. 4.75 oz(135 g)(w/o cable)

Material

ABS

Cable Length

5FT. (150 cm)

Connector

RJ45 10 pins

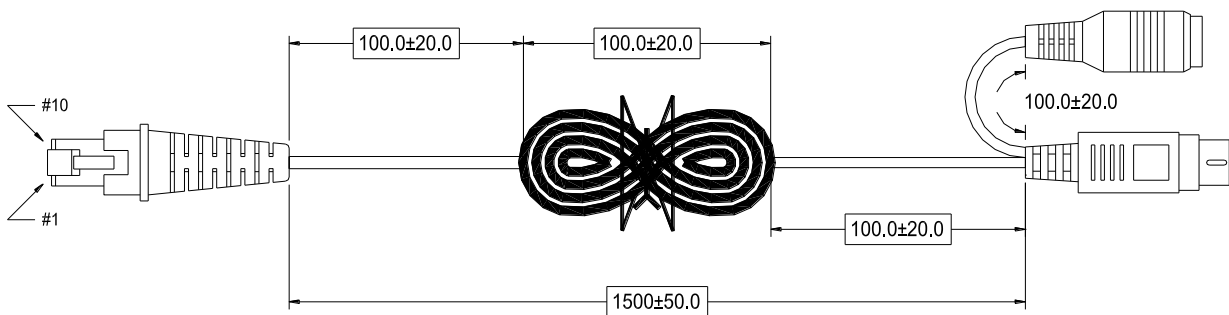
Dimension

139.5 mm X 89.9mm X 71.1 mm

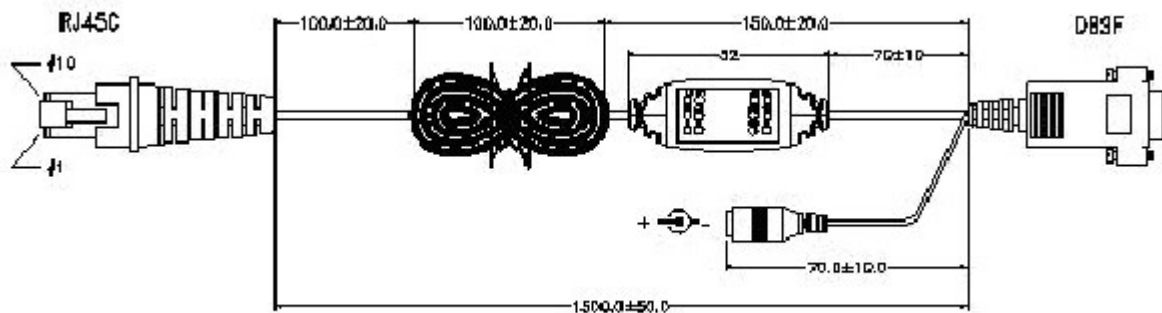
(a)Cable drawing

Unit : mm

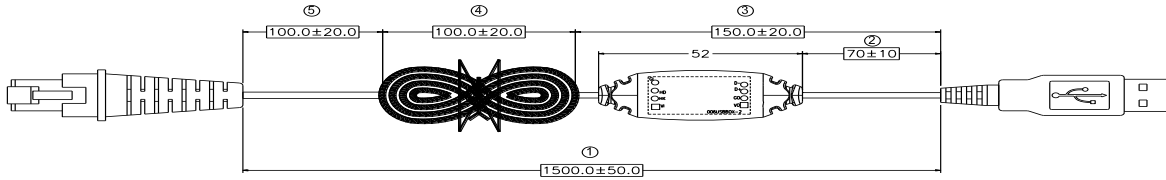
(1) Keyboard



(2) RS232

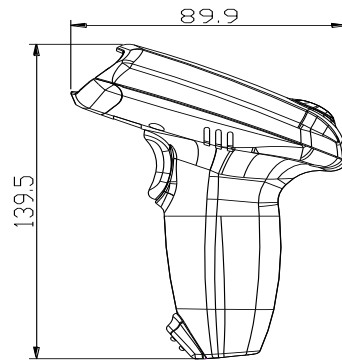
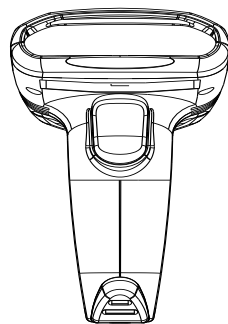
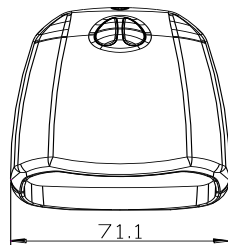


(3)USB



(b)Mechanical drawing

Unit : mm

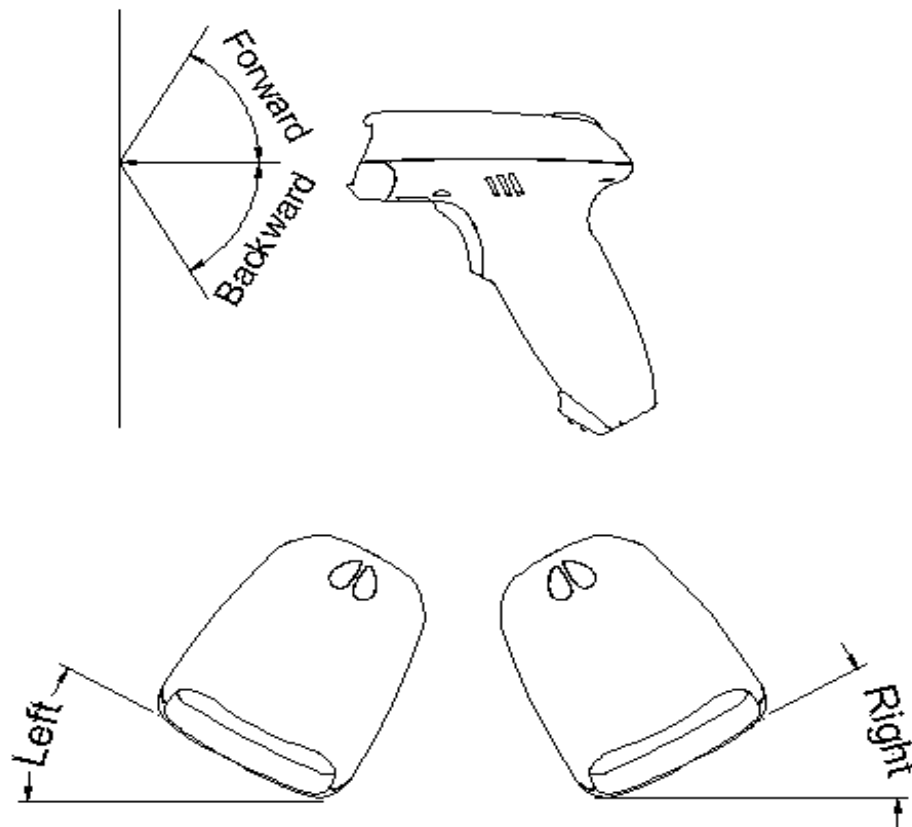


C. Electrical Characteristics

Interface	RS232	KB	USB
Supply Voltage		DC +5V ±5%	
Output Voltage (Typ.)	±9V	+5V	+5V
Output low Voltage (Max.)	-	0.4V	0.4V
Current Draw			
Power On (Max.)	135mA	135mA	140mA
Stand by (Typ.)	45mA	40mA	45mA
Operation (Typ.)	65mA	65mA	65mA

D. Performance

Light Source	Visible Laser Diode 650 nm ±5 nm
Scan Rate	100 scans/sec ±10%
Reading Distance	650mm@50mil/1.27mm, PCS90%
Width of Field	700mm@50mil/1.27mm, PCS90%
Print Contrast Ratio	PCS30%@20mil/0.5mm
Resolution	4mil/0.1mm@PCS90%
Reading Angle	<i>Test Conditions : Code 39, 10mil/0.25mm, PCS 90%</i>
Forward / Backward	45° / 60°(±5°)
Left & Right	± 10°(±5°)
Ambient Light	
Direct sun light	7000 Lux Max.



E. Environmental

Operating Temperature	0 °C to 50 °C (32 °F to 122 °F)
Storage Temperature	-20 °C to 70 °C (-4 °F to 158 °F)
Relative Humidity	20% to 95% (Non-condensing)

F. Readable Symbologies

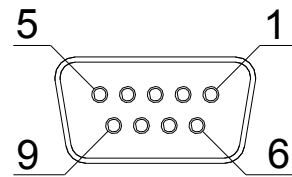
	Readable	Default Enable
All UPC/EAN/JAN	V	V
EAN128 Code	V	V
Code 39	V	V
Code 39 Full ASCII	V	
Code32 / Italian Pharmacy	V	
Code 128	V	V
CODABAR/NW7	V	V
Interleave 25	V	V
Industrial 25	V	
Matrix 25	V	
MSI/PLESSEY	V	
Telepen	V	
Code 93	V	
Code 11	V	
China Postage	V	
Code 26	V	
LCD25	V	
GS1 DataBar	V	

G. Pin Assignment

a) RS232 Interface

DB 9 Female

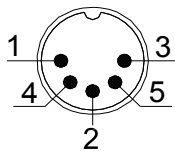
Pin No.	Function
2	TXD
3	RXD
5	GND
7	CTS
8	RTS
9	Vcc/+5V
Power Lead	Vcc/+5V



b) Keyboard Interface

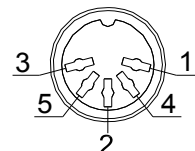
DIN 5 MALE

Pin No.	Function
1	HOST CLK
2	HOST DATA
4	GND
5	Vcc(+5V)



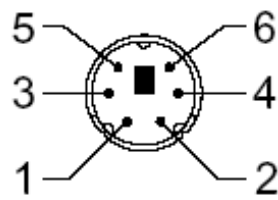
DIN 5 FEMALE

Pin No.	Function
1	KB CLK
2	KB DATA
4	GND
5	Vcc(+5V)



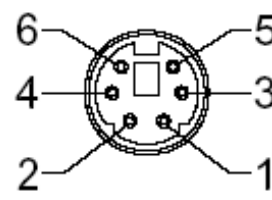
MiniDIN 6 MALE

Pin No.	Function
1	HOST DATA
2	NC
3	GND
4	Vcc(+5V)
5	HOST CLK
6	NC



MiniDIN 6 FEMALE

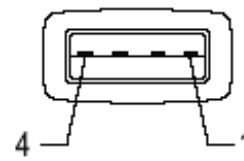
Pin No.	Function
1	KB DATA
2	NC
3	GND
4	Vcc(+5V)
5	KB CLK
6	NC



c) USB Interface

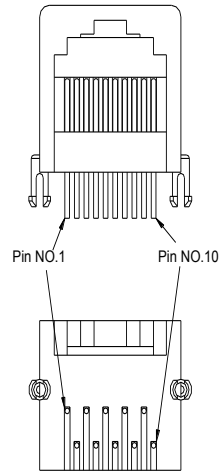
USB A Type Male

Pin No.	Function
1	Vcc
2	D-
3	D+
4	GND

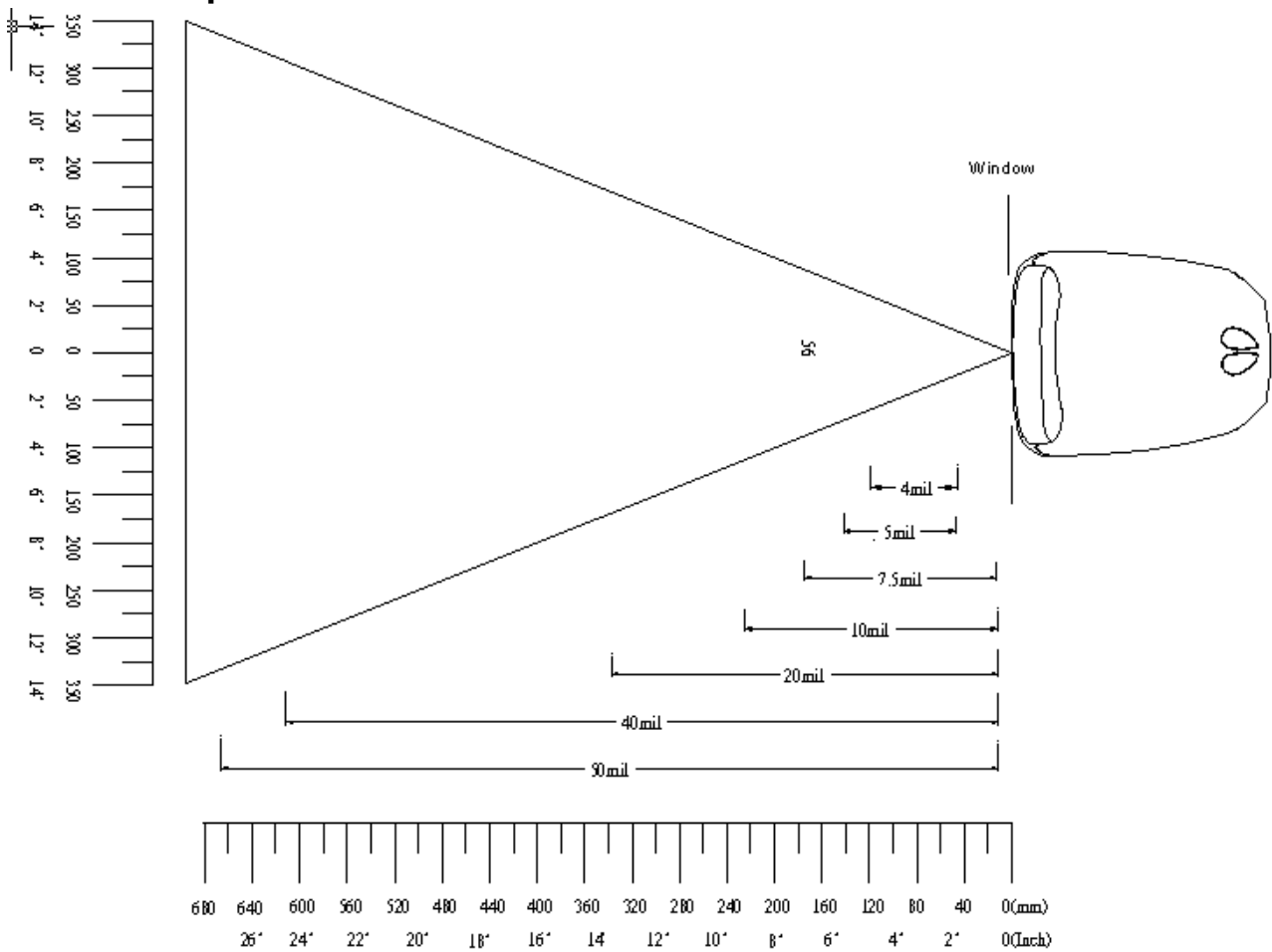


Decoder Data Output

Type	RJ45 10P
Pin No.	Function
1	RTS
2	HOST DATA
3	GND
4	HOST CLK
5	Vcc (+5V)
6	KB CLK
7	TXD
8	KB DATA
9	RXD
10	CTS



H. Scan Map



I. Reliability

Life Time

Light Source	40,000 hours
Trigger Switch	1,000,000 times
MTBF(Calculated)	20,000 hours

Thermal Shock

High Temp.	60 °C (140 °F)
Low Temp.	-20 °C (-4 °F)
Cycle time	20 minutes for high temp. , 20 minutes for low temp.
Cycles	5 cycles

Cable Bending Test 25,000 times minimum (30 times/min @ 500g/90 °)

Drop 40 inch(100cm) drop on Concrete Surface