

SPECIFICATION

Customer: _____

Customer's Model No.: _____

Model No.: **LYRA L-9080i**,
Desktop and Handheld Presentation Area Imager Barcode Scanner

Date: _____

Sample Serial No.: _____

Spec. Version & Revision Date: V00 2019.07.17

Received/Approved by

CHAMPTEK[®]
阿丹電子企業股份有限公司

Web : <http://www.champtek.com>

E-mail : sales@champtek.com

Champtek Incorporated

1/F, No.4, Alley 2, Shih-Wei Lane, Chung Cheng Rd.,
Hsin Tien District, New Taipei City, Taiwan, R.O.C.

Tel : 886-2-22192385

Fax : 886-2-22192387

Revision History

Version	Date	Context
V00	2019.07.17	Release

TABLE OF CONTENTS

A.	General Description	4
B.	Physical Characteristics	5
C.	Connecting	6
D.	Powering	6
E.	Electrical Characteristics	6
F.	Performance	7
G.	Environmental	7
H.	Reading Range	8
I.	Status and led tables	8
J.	Readable Symbologies	9
K.	Reliability	9

A. General Description

The LYRA family is a multi-form, compact size, omni-directional presentation area-imaging scanner engineered to decode all standard 1D and 2D barcodes. Its revolutionary imaging technology is housed in an elegant, stylish, yet durable design. The compact size and small foot-print design, makes it the ideal solution for space-constrained environments.

With the **LYRA L-9080i**, you get the versatility to scan any 1D or 2D bar code — from the printed labels in retail that identify product or mobile bar codes on the screen of a mobile phone, and pricing at the register to mobile coupons, mobile gift and loyalty cards, boarding passes and even theater tickets. The LYRA provides all the features you need to keep your workers productive; intuitive and fast reading performance; true point-and-shoot scanning simplicity — no need to align bar code and scanner; and hands-free and handheld flexibility.

The LYRA reader includes powerful configuration tool, programming bar code and data formatting functionality which allow easy integration into existing or new host systems, management to manage maintenance.



B. Physical Characteristics

Weight

Body weight Approx.315g

RS232 Cable weight Approx. 85g

USB Cable weight Approx. 55g

Material ABS Plastic

Connector RJ 48C 10 Pin

Dimension (WxDxH) 97.89 x 74.90 x 137.94 mm

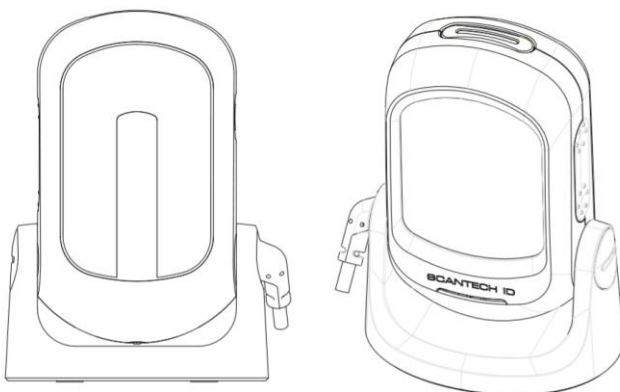
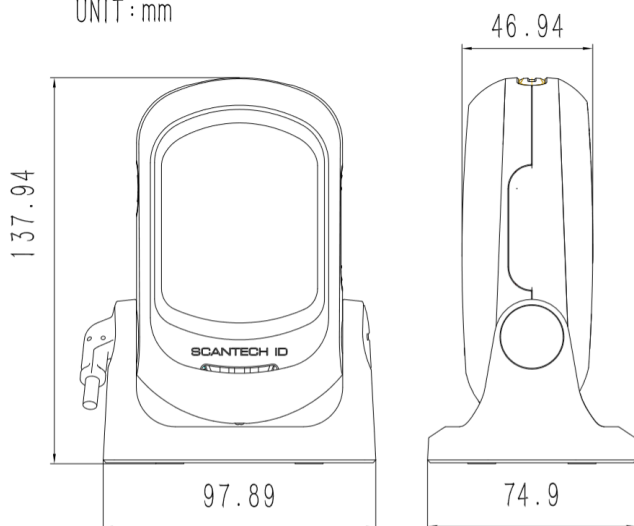
Color Available Black

Note : scanner head can be forward (Max 90°) and backward (Max 90°) tilting adjusted in a total 180° range to accommodate to your application need.

Body Dimension

Unit: mm 97.89(W) x 74.90(D) x 137.94(H)

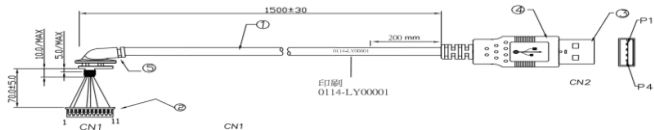

UNIT : mm



C. Connecting

Interface Selection

LYRA allows you to connect your host system using two different interface cables, RS232 or USB.

Interface Cable	Connector type
USB Black (Product Number: 0114-LY00001)	USB connector
	

D. Powering

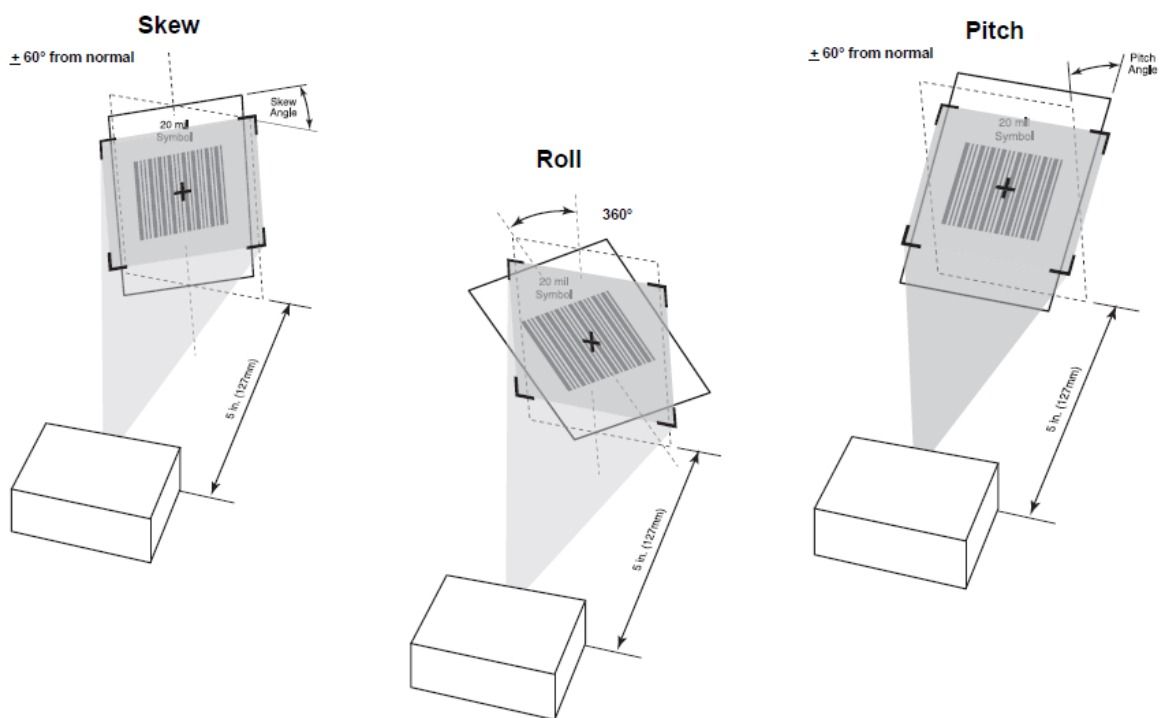
LYRA power is designed by USB+5V, do not need power supply once the interface is USB, but will request power supply for RS232 interface.

E. Electrical Characteristics

Interface	RS232	USB
Supply Voltage	DC Adaptor +5V \pm 5%	USB Power
Stand-by (Typ.)	95 mA	90 mA
Operation (Typ.)	320 mA	310 mA

F. Performance

Light source	Visible White LED
View of field	Horizontal – 55°, Vertical – 35°
Depth of field	200mm@20mil/0.5mm, PCS90%
Resolution	1280 (H) x 800 (V) pixels 3.0 mil (Code 39), 8 mil (QR Code)
Scan speed	60 scans per second
Pitch	±60°(from front to back)
Skew	±60°(from plane parallel to symbol(side- to-side))
Roll	360°
Interface	RS-232 or USB
Indicators	Beep and LED



G. Environmental

Operating Temp.	0°C to 50°C(32°F to 122°F)
Storage Temp.	-20°C to 70°C(-4°F to 158°F)
Relative Humidity	20% to 95% (Non-condensing)
Sealing	Designed to IP42 water and dust protection

H. Reading Range

Barcode	Depth of field
3mil Code39	40 ~ 60 mm
4mil Code39	35 ~ 85 mm
5mil Code39	35 ~ 95 mm
10mil Code39	25 ~ 150 mm
20mil Code39	20 ~ 200 mm
20mil QR Code	20 ~ 120 mm
20mil PDF417	20 ~ 90 mm
20mil Data Matrix	20 ~ 160 mm

Note : The test is under ambient light 700~800 Lux.

Near distance is Field of View (FOV) limited by barcode's size.

I. Status and led tables

Status	action	LED	Beeper
Auto read mode		Orange light	
	Succeed scan	Blue Blink 1 time	Be
Trigger mode		Blue light	
	Succeed scan	Orange Blink 1 time	Be

Note : Auto read mode at startup ,Touch the button to switch to Trigger mode
3 seconds without scanning,Automatic reply auto read mode.



J. Readable Symbologies

1D Symbologies	Readable	Default Enable
UPC-A	V	V
UPC-E	V	V
EAN-8/JAN-8	V	V
EAN-13/JAN-13	V	V
Code 39	V	V
Code 128	V	V
Codabar/NW7	V	V
Interleaved 25	V	V
Industrial 25	V	
Matrix 25	V	
Code 93	V	
China Post	V	
Code 11	V	
MSI/Plessey	V	
Telepen	V	
GS1 Databar Omni-directional	V	
GS1 Databar Limited	V	
GS1 Databar Expanded	V	

2D Symbologies	Readable	Default Enable
Aztec	V	
Data Matrix	V	V
PDF 417	V	V
Micro PDF 417	V	
QR Code	V	V
Micro QR Code	V	
DotCode	V	

K. Reliability

Life Time	
MTBF(Calculated)	50,000 hours
Temp. Test	
High Temp.	70°C, 48 hours
Low Temp.	-20°C, 48 hours
Cable Bending Test	25,000 times minimum (30 times/min @ 500g/90°)
Drop Resistance	47.24 inches(120cm) drop on concrete surface
Electro-Static Discharge	Both contact and air at up to 20KV