



IG900

2D DPM Barcode Scanner

SCANTECH ID[®]
CHAMPTEK Group

Introduction

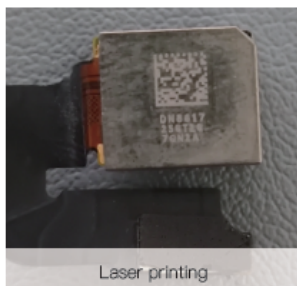
The IG900 is an industrial handheld high performance 2D DPM barcode scanner. Advanced CMOS image recognition technology, intelligent image recognition system, equipped with 1.3 million pixel global exposure camera, barcode dirt, defects, low contrast and other situations can be effectively dealt with. It can be mainly used for DPM barcode scanning in industrial production, machinery manufacturing, PCB production and other scenarios.

IG900 has most modern design with rugged casing and supports IP65 sealing protection, with its unmatched performance for the majority of 1D and 2D and DPM barcode reading to increase your productivity.

Features

- It is anti-drop and anti-vibration with highly integrated 2D decoding structure.
- Its high-performance MCU to easily identify the mainstream 1D and 2D barcodes in the market.
- Built in 1.3 megapixel global exposure camera that can easily read more than 3mil bar codes to meet the DPM bar code scanning needs.
- Support different media DPM codes, such as plastic, cast iron, PCB, aluminum, with different processes such as reflection, low contrast, perforation, etching, corrosion and impact.
- Good performance for low contrast, defacement, distortion and other forms of printed bar code reading scenes.

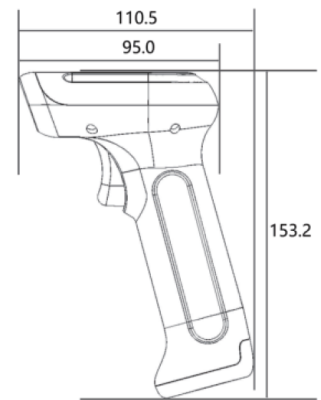
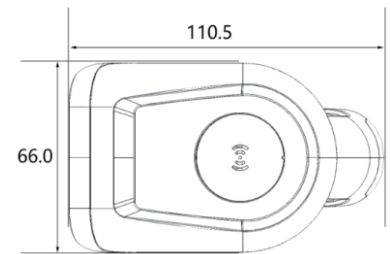
Drilling DPM, laser printing, mechanical impact, etching, printing and other types of DPM barcode scanning.



IG900

Depth of Field

Barcode Type	Barcode Density	Minimum	Maximum
Code 39	0.076mm(3mil)	40mm	75mm
Code 39	0.127mm(5mil)	30mm	90mm
Data Matrix	0.127mm(5mil)	40mm	70mm



Mechanical Drawing
Unit: mm

Specifications

Physical Characteristics

Weight	
Body weight	Approx. 159.6g(not include cable) 1.
Cable Length	1.8 meters
Dimension	L153.2mm * W66.0mm * H110.5mm
Color Available	Green

Performance

Light Source	White light illumination, Red bar aimer
Sensor	1.3m / 1280*1024 pixels
Field of view	Horizontal – 40°, Vertical – 34°
Scan Speed	65 cm per second
Reading Distance	160mm@20mil/0.5mm, PCS90%, QRCode
Print Contrast Ratio	≥20%
Resolution	1D: 3mil/0.076mm PCS90%, Code39 2D: 5mil/0.127mm PCS90%, DM code
Scanning Mode	Trigger, Induction, Continuous
Indicator	LED \ Buzzer

Reading Angle

Pitch Angle	5°~60° (±5°)
Skew Tolerance	5°~60° (±5°)
Rolling	±360°
Ambient Light	Dark Environment, Indoor Natural Light
Sealing	IP65 Water and dust protection

Powering option for RS232

2 selections as option to power the RS232 Scanner

* Though an USB power cable, its DC plug end plugged onto the RS232 cable, and another USB head end to the host to feed power to scanner.

* or Though an power adaptor, plug it onto the RS232 cable to feed power.

Environmental

Operating Temperature	-20 °C to 50 °C (-4 °F to 122 °F)
Storage Temperature	-40 °C to 70 °C (-40°F to 158 °F)
Relative Humidity	5% to 95% (Non-condensing)
Vibration Test	10H@125RPM

Reliability

Life Time	
Trigger Switch	1,000,000 times @1kg ±50g cycles
MTBF (calculated)	50,000 hours
Thermal Shock	
High Temp.	60 °C (140 °F)
Low Temp.	-20 °C (-4 °F)
Cycle time	30 minutes for high temp. , 30 minutes for low temp.
Cycles	24 cycles
Cable Bending Test	25,000 times minimum (30 times/min @ 200g/90°)
Drop Resistance	59.05 inches (150cm) drop on concrete surface

Readable Symbolologies

Code Symbologies

1D : UPC-A, UPC-E, EAN-8, EAN-13, Code 128, Code 39, Code 93, Interleaved 2 of 5.

2D: QR Code, Data Matrix, Micro QR Code , Aztec Code, Hanxin Code.

Support to read DPM barcode

Due to Champtek/Scantech ID's continuing product improvement programs, specifications and features are subject to change.