



# MIR4W

## High Performance 2D Barcode Scanning Module

**CHAMPTEK**<sup>®</sup>  
We value your ID's

### Introduction

The MIR4W module is a high performance, omni-directional 2D barcode scanner. It delivers the same high-quality when your products need to capture 1D and 2D bar codes. Its good ability to read bar codes that are printed on paper labels or displayed on the screen of a mobile phone or computer; and the rapid scanning speed that protects worker productivity and the customer experience.

With the MIR4W, you can create products that will make a difference for your customers – and their customers. It is designed for various built-in and OEM solutions, such as self-service kiosks, POS(Point-of-Sales) terminals, ATM, price checkers and mobile device solutions, etc.

Numerous features make it easy to integrate the MIR4W in customer's application, you can keep imager on decoder board with two mounting areas options to mount it on customer's equipment, or have the imager stand alone to connect with decoder board by a FPC cable. With a multitude of software configuration through IdeaSet utility, you can easily optimize the performance of the MIR4W for your application.

MIR4W module is a high performance 2D scanning module, provides customers with the most cost-effective solution in the market and is perfectly suitable and definitely the best choice for any OEM and built-in application.

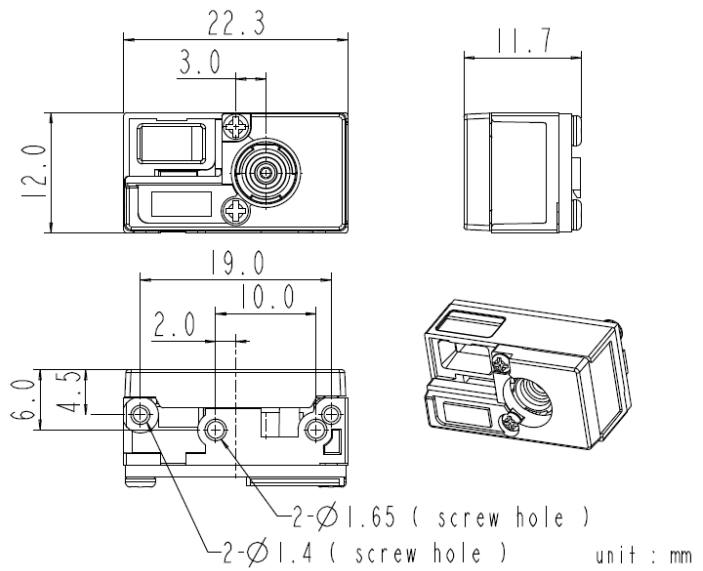
### Features

- Omni-directional scan pattern, no need to align barcode and scanner, ensuring user comfort and protecting worker productivity.
- Easily integrated with various OEM application while 1D and 2D barcode scanning.
- Focused red-coloured bar aimer for accurate aiming and barcode capture.
- Flexible mounting options, either mounting on external or inner screw holes.
- With a multitude of software configuration options, you can easily optimize your application.

# MIR4W

## Reading Range

Barcode mil	Depth of Field
3mil Code39	60~100 mm
4mil Code39	55~110 mm
10mil Code39	50~220 mm
20mil Code39	50~300 mm
20mil QRCode	50~200 mm
20mil PDF417	50~120 mm



## Specifications

### Physical Characteristics

#### Weight

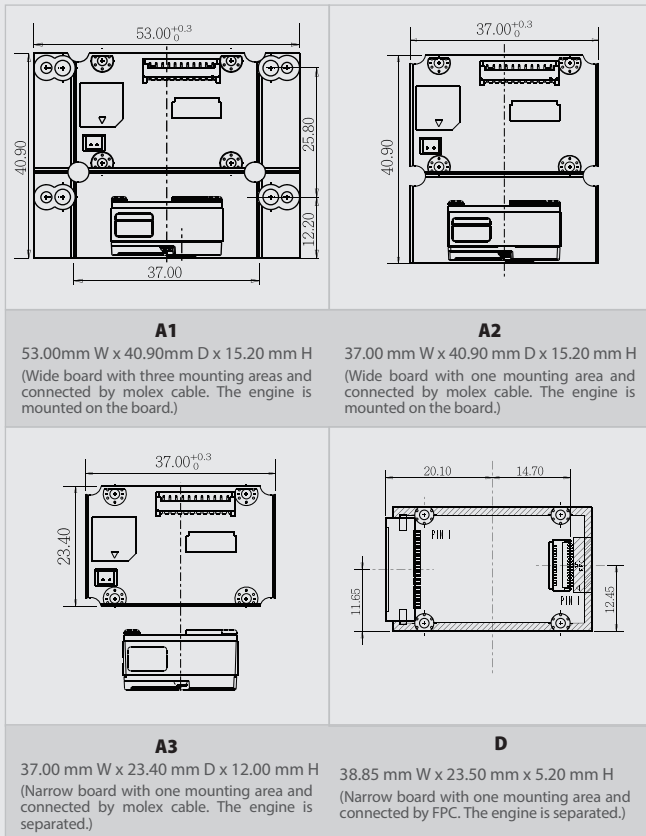
Body weight Approx. 0.098 oz (2.8g)

USB Cable weight Approx. 2.1 oz (34.6g)

RS232 Cable weight Approx. 1.74 oz (49.6g)

Material Polycarbonate

#### Dimension



**A1**

53.00mm W x 40.90mm D x 15.20 mm H  
(Wide board with three mounting areas and connected by molex cable. The engine is mounted on the board.)

**A2**

37.00mm W x 40.90 mm D x 15.20 mm H  
(Wide board with one mounting area and connected by molex cable. The engine is mounted on the board.)

**A3**

37.00 mm W x 23.40 mm D x 12.00 mm H  
(Narrow board with one mounting area and connected by molex cable. The engine is separated.)

**D**

38.85 mm W x 23.50 mm x 5.20 mm H  
(Narrow board with one mounting area and connected by FPC. The engine is separated.)

### Electrical Characteristics

Interface	RS232	USB-HID(or Virtual COM port)
	DC Adaptor	USB Power
Supply Voltage	DC+5V±5%	DC+5V±5%
Current Draw	±10%	±10%
Stand by (Typ.)	40mA	40mA
Operation (Typ.)	380mA	380mA

### Environmental

Operating Temp. 0°C to 50°C (32°F to 122°F)

Storage Temp. -20°C to 70°C (-4°F to 158°F)

Relative Humidity 20% to 95% (Non-condensing)

Ambient Light Works in any lighting conditions from 0 to 100,000 lux

### Performance

Light Source White light illumination and Red bar aimer

Scan Rate 60 images per second 1280(H) x 800(V)

Sensor Resolution pixels Horizontal -55°, Vertical -35°

Field of View 5°~60°(±5°)

Pitch Angle 5°~60°(±5°)

Skew Tolerance 360°

Roll Good read beep

Indicator

### Reliability

#### Life Time

MTBF(Calculated) 50,000 hours

### Readable Symbolologies

#### 1D Symbolologies

UPC-A,UPC-E,EAN-8/JAN-8,EAN-13/JAN-13,Code 39,Code 128, Interleaved 25,Industrial 25,Matrix 25,Codabar/NW7, Code 93,China Post,MSI/Plessey,Telepen,GS1 Databar Omni-directional, GS1 Databar Limited,GS1 Databar Expanded

#### 2D Symbolologies

Data Matrix,PDF 417,QR Code

Option :

Aztec,Micro PDF 417,Micro QR Code,Han Xin Code,GM Code

Due to Champtek's / Scantech ID's continuing product improvement programs, specifications and features are subject to change