



# Voter Management Solution

Your trustworthy voter management utility



## Introduction

ChampTek delivers begin to end election solution through the process of voter registration, electronic voting and voter management with its durable mobile device, where it can easily accomplish any election operations in any country side. An adequate hardware sealing level allows its use under severe weather conditions and environment pollution. Various modules such as ID reader, NFC reader, fingerprint and even iris scanners are ready to be integrated.

Remote connection and on-line data transmission are guaranteed by proper telecom system suitable to any local provider, and GPS coordinates can be utilized. ChampTek can also offer customized integrated Voter Registration Software (VRS) that is scalable and exceeds your requirements. We add value to your country elections so that it is free and fair as elections are the most powerful tool of democracy.

## Voter Registry

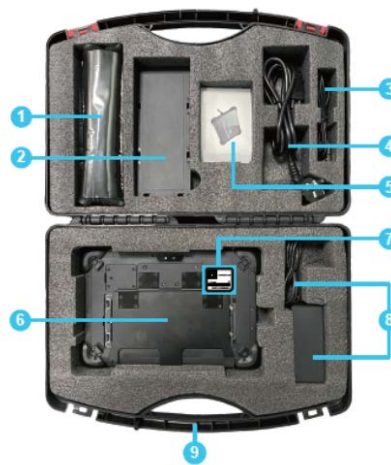
ChampTek offers various technologic solutions to capture and authenticate a voter's identity through facial, document, fingerprint and palm biometric verification methods. The device can be easily carried and set-up on desk with its flexible stand.



# Voter Management Solution

## Reliable & Robust

The voter management device (VMD) is designed in consideration of high humidity hot temperature harsh conditions. Besides certified with 1.2 meters Military Grade drop test, with its proven IP65 rating protection, VMD is able to adopt to any environment on the field. The VMD can satisfy over 8 long hours continuous operation usage and it could come with a IP54 carry case for transportation and storage purposes. The case shells have positioning locking features for piling up without any risk of sliding off.



1. Shoulder Strap
2. Spare Battery (Optional)
3. Type C to USB Cable
4. Power Cord & Plug
5. Quick Guide & Warranty card
6. Device
7. S/N Label
8. Power Adaptor
9. Case

## Software Solutions

**MDM** - Mobile Device Management is owned by Champtek for further security, monitoring and software upgrade services.

**VRS** – Voter Registration Software – this device can be used to validate all registered voters, by means of an IDENTIFICATION DOCUMENT, which is on government system. We can also create ruling for voter areas and addresses - this will aid in voters only voting once. If some don't have physical addresses, we can use GPS coordinates to identify as addresses. We can even create geo-fences in terms of a voter on being able to vote in a particular area.

**EVS** - Electronic Voter Software – we have a world first in terms of a device which allows you to vote/ make your mark and gives you a printout to validate your vote. So, you cast your vote on the device, it then prints out a receipt which you then place in the box – like your traditional voting system. This allows for free and fair elections – two step authenticity.

**Counting** – Our software package will allow you the immediate counting and that is then tied back to the manual counting. The printout can be kept in your high security warehouse for your future auditing. The electronic count will be kept on your government servers. We can even take it a step further by giving you a detailed demographic on the voters. Not who your voters voted for, but the ages of voters in particular areas. Can even break down further into race groups and passport types.

