



FS700

IP65 CCD Fixed mount scanner

CHAMPTEK[®]
We value your ID's

Introduction

The FS700 is equipped with ultra-compact high performance CCD imager bar code scanning engine, ideal for OEM applications in devices including POS, medical devices, kiosks, lottery terminals and access control devices, a stand option can be ordered to facilitate desktop hand-free reading options.

Performance : Its auto-shuttle-emulation-like smart detection, offers superior decoding performance on a reading speed up to 500 scans per second and up to 500mm reading depth for the majority of 1D bar codes and GS1 DataBar™ codes. A stand option can be ordered to facilitate hand-free "continuous mode" reading options.

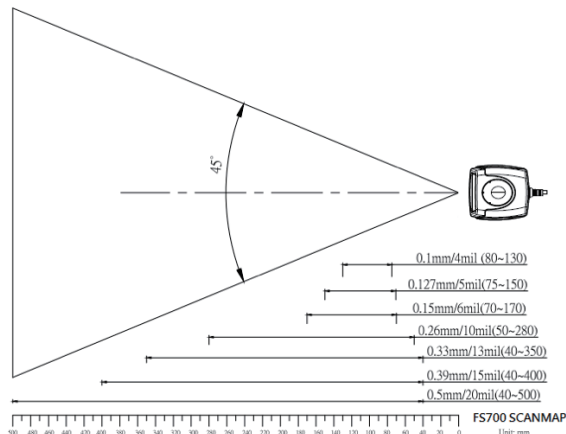
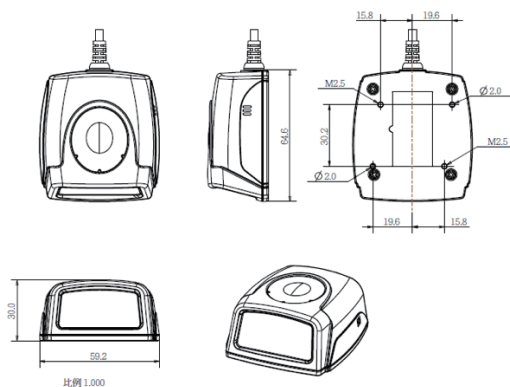
Everything has been done to simplify the integration of the FS700, compact size, multiple mounting possibilities and multiple interfaces selection, such as standard RS232 & USB-HID and USB Virtual COM port.

With its built-in automatically turn off reading and switch on reading as it sense a bar code moving in front of it, can extend its lifespan. its 100,000 LUX ambient light resistance, hand-on software-programming function, this FS700 is the best choice ever for various fixed mount/build in OEM bar code scanning application.

Features

- Easily integrated with various OEM applications.
- Fixed mount linear imager bar code scanner which offers superior 1D scanning.
- Compact and lightweight design is flexible for external application requirement.
- Read major 1D bar codes,GS1 Databar linear and stacked bar codes.
- Support automatic detection and wake up reading mode.
- Reading depth is up to 500mm (20mil/0.5mm@code39 pcs90%).
- Smart Detection, speed up to 500 scans per second.
- Rugged casing that supports IP65 Dropping from 1.8m.

FS700



Specification

Physical Characteristics

Weight	
Body weight	Approx. 108 g
Cable weight(USB)	Approx. 40 g
Material	
	Polycarbonate
Cable Length	
	5FT. (150cm)
Dimension	
	59.2 mm W x 64.6 mm D x 30.0 mm H

Performance

Light Source	Visible Red light 632nm LED
Sensor	Linear CCD Sensor
Processor Type	ARM 32-bit CPU
Operating Freq.	8 MHz (Internal)
Scan Rate	Smart detection, up to 500 scans per second $\pm 10\%$
Reading Distance	Up to 500mm@20mil/0.5mm PCS90%, Code39
Print Contrast Ratio	30%
Resolution	4mil/0.1mm@PCS90%
Reading Angle	Test Conditions: Code 39, 10mil/0.25mm, PCS90%
Forward & Backward	$\pm 10^\circ \sim 65^\circ (\pm 5^\circ)$
Left & Right	$\pm 60^\circ (\pm 5^\circ)$
Ambient Light	100,000 Lux Max. @ Direct sun light

Environmental

Operating Temperature	0 °C to 50 °C (32 °F to 122 °F)
Storage Temperature	-20 °C to 70 °C (-4 °F to 158 °F)
Relative Humidity	20% to 95% (Non-condensing)
Sealing	Designed to IP65 water and dust protection

Electrical Characteristics

Interface	RS232	USB
Input Voltage	DC +5V $\pm 5\%$	DC +5V $\pm 5\%$
Output Voltage (Typ.)	$\pm 9V$	+5V $\pm 10\%$
Output low Voltage (Max.)	-	0.7V
Current Draw		
Power On (Typ.)	170 mA	170 mA
Stand by (Typ.)	50 mA	50 mA
Operation (Typ.)	150 mA	150 mA

Reliability

Life Time	
Trigger Switch	1,000,000 times
MTBF(Calculated)	50,000 hours
Thermal Shock	
High Temp.	60 °C (140 °F)
Low Temp.	-20 °C (-4 °F)
Cycle time	30 minutes for high temp., 30 minutes for low temp.
Cycles	24 cycles
Cable Bending Test	25,000 times minimum (30 times/min @ 500g/90 °)
Drop	70.87 inches (180cm) drop on concrete 6 surface

Readable Symbolologies

	Readable	Default Enable
All UPC/EAN/JAN	V	V
EAN128 Code	V	
Code 39	V	V
Code 39 Full ASCII	V	
Code32 / Italian Pharmacy	V	
Code 128	V	V
CODABAR/NW7	V	V
Interleave 25	V	V
Industrial 25	V	
Matrix 25	V	
MSI/PLESSEY	V	
Telepen	V	
Code 93	V	
China Postage	V	
GS1 DataBar Omnidirectional & Stacked	V	
GS1 DataBar Limited	V	
GS1 DataBar Expanded & Stacked	V	

Due to Champtek's / Scantech ID's continuing product improvement programs, specifications and features are subject to change